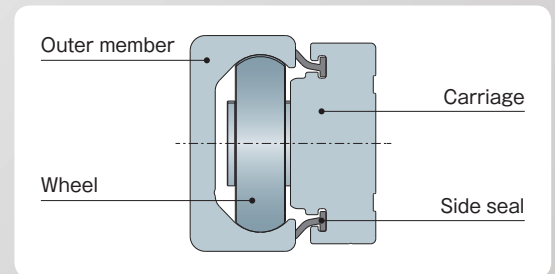
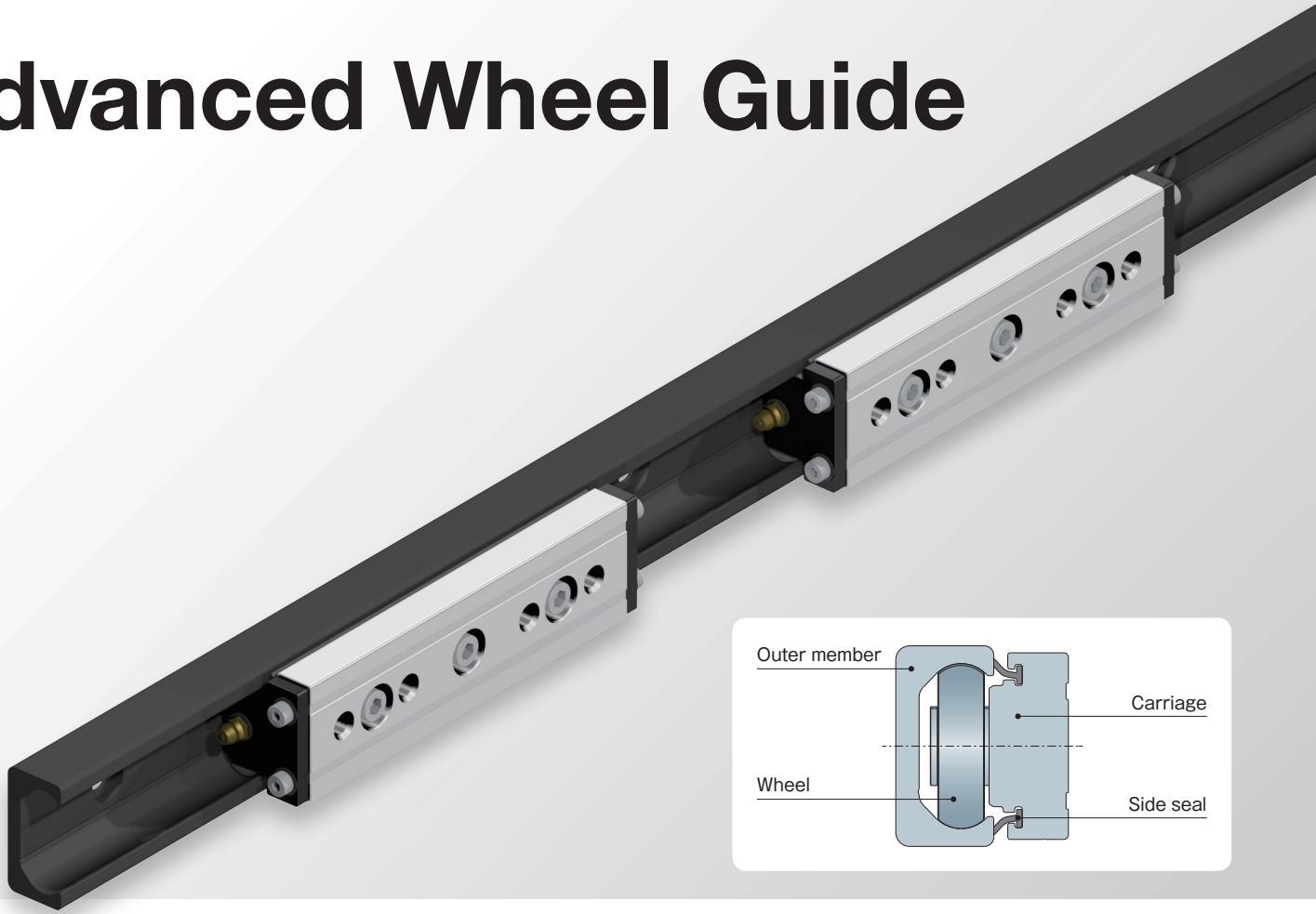




Advanced Wheel Guide



■ Structure and Features

Advanced Wheel Guide is an infinite type linear motion guide composed of a U-shaped outer member with two grooves and a carriage fitted with wheels on its interior.

Guide stability

Utilizing the technology developed with THK's LM Guide, smooth sliding motion is achieved even for surfaces with low mounting accuracy thanks to the self-adjustment capability.

Exceptional contamination protection

The newly developed scraper on the edge of the carriage makes it possible to maintain long-term contact, thus achieving a high degree of contamination protection.

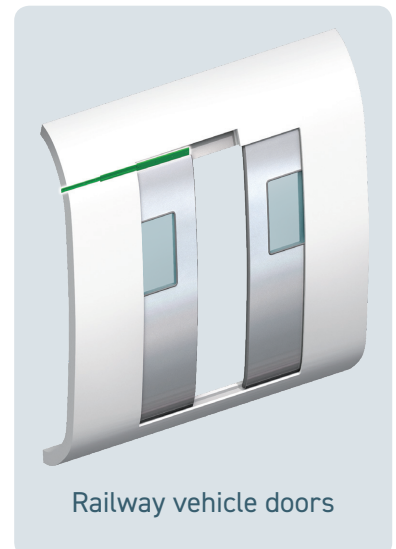
Easy lubrication

Lubrication can be performed with a grease gun at the grease nipple installed on the outer carriage.

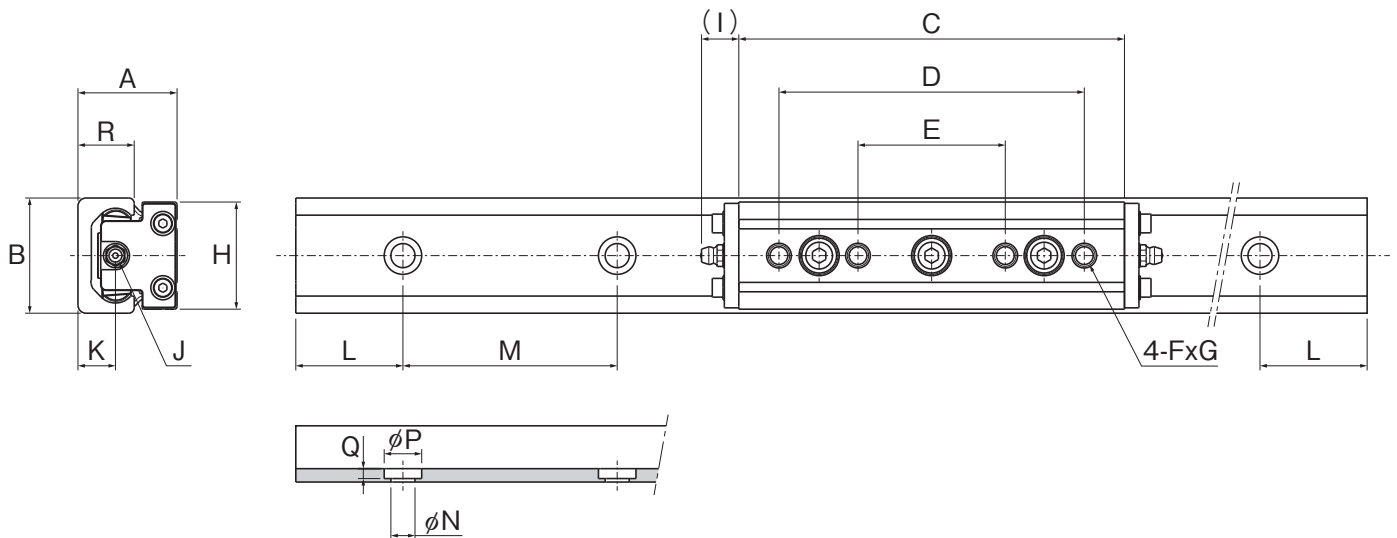
Eco-friendly

The newly developed grease tank structure on the edge of the carriage creates an eco-friendly lubrication system that does not contaminate the surrounding area, since the right amount of grease is applied to the raceway.

■ Example Application



■ Dimensional Table



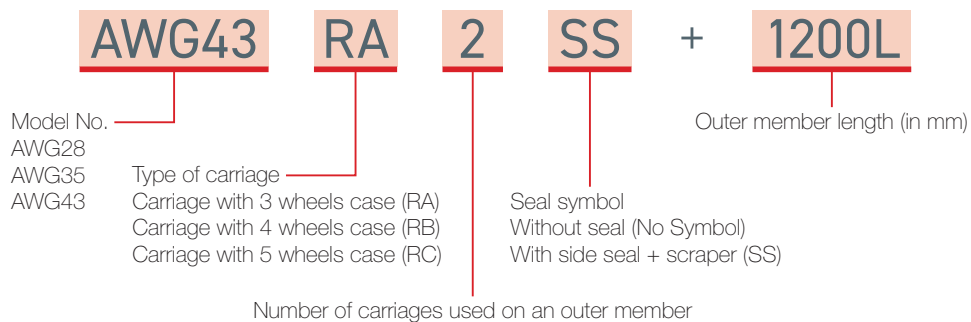
Unit: mm

Model No.	Outer dimensions			Carriage dimensions							Outer member dimensions			
	A	B	C	D	E	F×G	H	(I)	Grease nipple J	K	L	M	N×P×Q	R
AWG28	24	28	98	78	35	M5×11	25	12.7	A-M4	9	40	80	6×9.5×2	12.5
AWG35	30	35	120	100	45	M6×14	32	13.3	A-M6F	11.1	40	80	7×11×2.7	16
AWG43	37	43	144	114	55	M8×15	40	14	A-M6F	14	40	80	9×14×3.6	21

The above dimensional drawing and dimensional table are for when three wheels are used.
Maximum outer member length: 1200 mm

■ Model Number Coding

Select an option



Precautions

- Use the outer member and carriage that were originally delivered together as a set.
- Contact THK for use in special environments.
- Contact THK for detailed specifications or when special specifications are desired.

●“LM Guide” and “” are registered trademarks of THK CO., LTD.

●The actual products may differ from the pictures and photographs in this catalog.

●Outward appearances and specifications are subject to change without notice for the purpose of improvement. Please consult with THK before using.

All rights reserved

THK CO., LTD.

Global Headquarters 2-12-10 Shibaura, Minato-ku, Tokyo 108-8506 Japan

International Sales Department Phone: +81-3-5730-3860

www.thk.com